



Commercial & Residential
AWNINGS

Measuring Instructions

Measuring for Taylor Made Fabric Window Awnings is not difficult. However extreme care must be taken to measure correctly. You must take into consideration all of the particular structural characteristics that exist in each opening (such as light fixtures and shutters) on which an awning is to be hung, and to determine the proper proportions for each awning that will provide adequate protection and an attractive appearance.

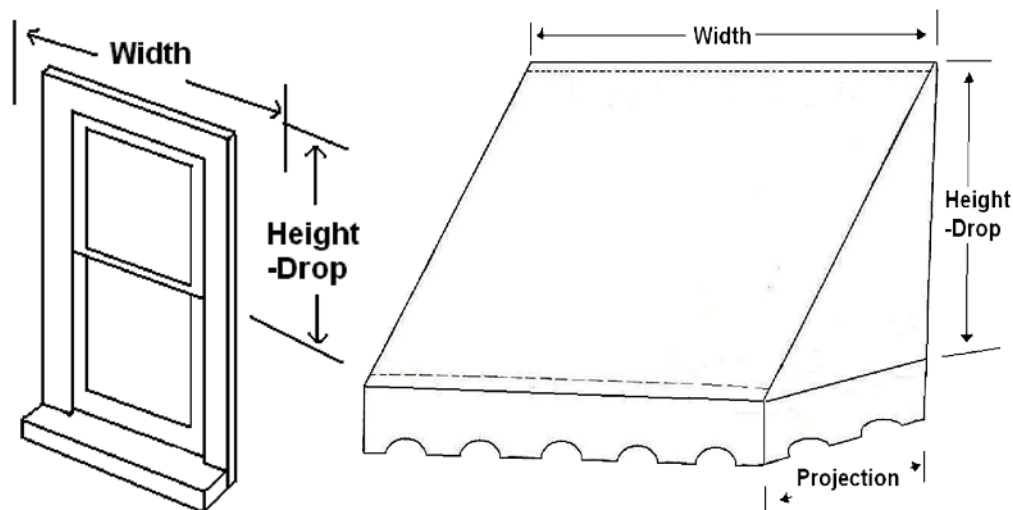
We suggest the following procedure:

1. Carefully inspect the installation site to determine fastening conditions such as wood, masonry and or metal. Look carefully for obstructions and interferences on the structure that may require special treatment for a properly designed awning.
2. Stand back and visualize the proportions of the awning that you think would look best and provide the protection you need.
3. Measure carefully all of the characteristics of each awning, following the instructions.
4. If your installation is in masonry then let us know so that we send the proper hardware.

A) You may have an older home that has a wide casing so we advise you to measure the width from outside to outside and add 3" to accommodate the hardware. If you are installing into a masonry building then allow 3" on each side (6" overall).

B) Measure height from where you are attaching at top to center of window. It is recommended to go 2" above top of casing. For masonry installations go 3" above top of casing. The awning will actually be below the center of the window when the valance is added.

C) It is recommended that you make a drawing of what you are measuring so that when your awnings come in you will know where they go.



Installation Instructions

1 The measurements for your awning are shown on a small tag sewn into the head rod pocket at the top of your awning. First you will install your head rod brackets. For small to medium size windows and doors there are two brackets per awning. For larger awnings there may be four or more brackets provided. Whatever you measured for your width then it's a good idea to mark that at the top of your window as a reference. The 2 head rod brackets are set in 6" from each side of where you measured for your awning. If you measured 3" above your casing then you want to install the top of the bracket 3-1/2" above your casing. A good way to be sure that your brackets are aligned is to install one and use a level to mark the top of the other.

2 Loosen your head rod clamp, flip up clips and place top of awning into recess of brackets. Flip down the clips and check to see that the fabric is centered in the brackets. You can measure both sides and slide either way to center. Once you are centered tighten down the wing nuts of bracket.

3 Your awning comes with the front bar already in the pocket. You have to slide the side arms into pocket if one is provided and screw into front bar. If you have trouble with this you can slide front bar out, screw in arms and slide the whole frame in as one. (We prefer this when we are doing them ourselves.)

4 With the frame in the pocket set arms against wall and check to see if the side is aligned with your window frame or casing. Do this from underneath the awning. You can also measure the distance you are out at the top and hold the arm at the same. With your arm where you want it installed make a mark and this is where you want to center your hinge and install. The hinge comes with a small screw that goes through the eye of the arm. You can install this either from inside or outside. Just be sure to do them both the same.

5 Remove the screw in the hinge and insert eye of arm, reset screw and tighten.

6 From the outside take a look at your awning. Be sure to pull the fabric back to the wall on both of the arms. You are going to see wrinkles in your awning but don't worry they will go away with time. The fabric needs to weather a little. Some sun and rain will take away the wrinkles.

